

### Butterfly Valves PN10/145PSI, PN16/232PSI

**Two-Piece, Welded, Lever**  
**Sealing Material Comply to FDA 177.1210/2600**  
**Dimensions to ISO2037, DIN11850**  
**Temperature Range: -20°C~120°C/-4°F~248°F**

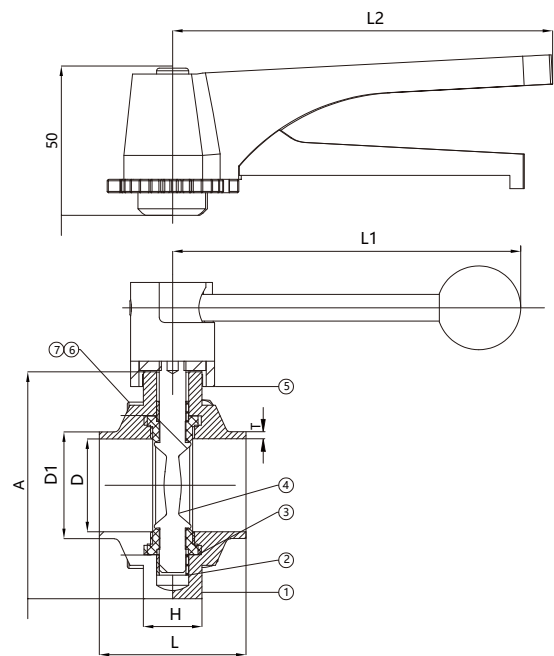


**HB5176-W**

Materials		
No.	Part	Specification
1	Body	ANSI 304/316L
2	Packing	PTFE
3	Seat	EPDM, NBR, PTFE, FPM
4	Disc	ANSI 304/316L
5	Handle/Lever	ANSI 304
6	Bolt	ANSI 304
7	Nut, Gasket	ANSI 304

\* The valve body material can be selected as 304 or 316.

\* The working pressure of model 5173 is 10 Bar;  
 The working pressure of model 5176 is 16 Bar.



Dimensions (ISO/DIN)									
Size/In	L ISO/DIN	L1 ISO/DIN	D ISO/DIN	D1 ISO/DIN	T	L2	H	A	Torque N.m
½	50	140/135	9.7/16	12.7/19	1.5	160	20	68	5
¾	50	140/135	15.8/19	19.1/22	1.5	160	20	78	5
1	50	140/135	22.1/25	25.4/28	1.5	160	22	78	5
1¼	50	140/135	28.5/31	31.8/34	1.5	160	22	78	5
1½	50	140/135	34.8/37	38.1/40	1.5	160	22	85	8
2	50/52	140/135	47.5/49	50.8/52	1.5	160	22	100	8
2½	56/58	180/135	60.3/66	63.5/70	1.5	160	22	110	8
3	56/62	180/160	72.9/81	76.1/85	1.5	160	22	125	10
4	60/66	180/160	97.6/100	101.6/104	2	160	22	155	15
4	60/-	180/-	104/-	108/-	2	160	22	155	15
5	80	240/230	129/125	133/129	2	210	28	185	30
6	90	240/230	153/150	159/154	2	210	36	215	40
8	92	240/230	213.9/198	219.1/204	2	210	36	285	60

♦Please consult the factory for 3A and other standard sizes such as ASME BPE, BS4825, etc.